

# Qseven™ Mini Carrier Board

Carrier Board at the Size of a 5.7" Flat Panel Display.

The conga-Qcarrier is a full featured, miniaturized carrier board for Qseven™.




---

Dimensions 95 x 140 mm

---

Power Supply Typ. 19 V DC (wide range input 12–32 V)

## Interfaces

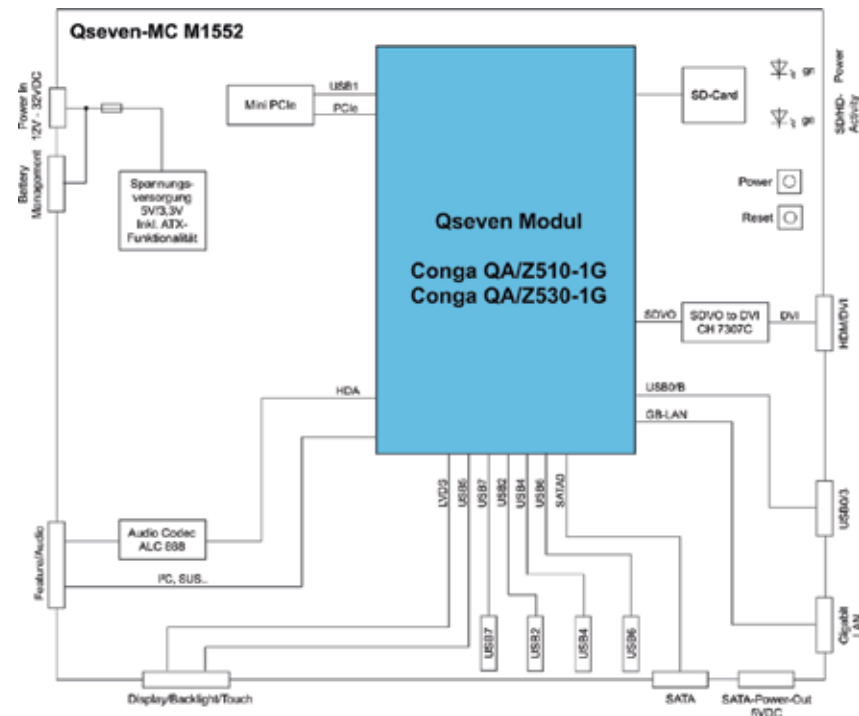
- High Definition Audio:
- Mic In / Audio In / Audio Out
- I<sup>2</sup>C Bus 400 MHz
- 18 bit Single Channel LVDS Flat Panel Display Connector
- USB Touch Controller
- 2x USB 2.0 (Type A Connector)
- 4x USB 2.0 (Pin Header)
- GBit Ethernet
- 1x HDMI (DVI via cable Adapter)
- 2x SATA & Power Output

## Expansion

- 1x Mini PCI Express Slot
- 1x SDIO Card Interface
- SD-Card

## Special Features

- Watchdog timer
- Thermal management
- Fan control





# congatec

the rhythm of embedded computing

## Headquarter:

**congatec AG**

Auwiesenstraße 5  
94469 Deggendorf,  
Germany

Phone +49 (991) 2700-0  
Fax +49 (991) 2700-111

info@congatec.com  
www.congatec.com

## Subsidiaries:

**congatec AG Asia Pacific**

11F-2, 341, Sec 4,  
Zhong Xiao E. Rd.  
106 Taipei City, Taiwan

Phone +886 2 2775 4645  
Fax +886 2 2775 3263

sales-asia@congatec.com  
www.congatec.tw

**congatec, Inc.**

2187 Newcastle Ave, Suite 201  
Cardiff by the Sea,  
CA 92007 USA

Phone +1 760-635-2600  
Fax +1 760-635-2601

sales-us@congatec.com  
www.congatec.us

**congatec s.r.o.**

Brojova 16  
PS 326 00 Plzeň  
Czech Republic

© 2009 congatec AG. All rights reserved.

conga, congatec and XTX™ are registered trademarks of congatec AG. Intel, Pentium and Intel Atom are trademarks of Intel Corporation in the U.S. and other countries. COM Express is a registered trademark of PICMG. Express Card is a registered trademark of the Personal Computer Memory Card International Association (PCMCIA). PCI express is a registered trademark of the Peripheral Component Interconnect Special Interest Group (PCISIG). CompactFlash is a registered trademark of the Compact Flash Association. Winbond is a registered trademark of the Winbond Electronics corp. AVR is a registered trademark of the Atmel corporation. ETX is a registered trademark of Kontron Embedded Modules GmbH. AMICORE8 is a registered trademark of American Megatrends inc. Microsoft®, Windows®, Windows NT®, Windows CE and Windows XP® are registered trademarks of Microsoft corporation. VxWorks is a registered trademark of WindRiver. All product names and logos are property of the respective manufacturers. All data is for information purposes only. Although all the information contained within this document is carefully checked no guarantee of correctness is implied or expressed.

[www.congatec.com](http://www.congatec.com)